

# CORETTI SYS TEM

A.A.G.  
STUCCHI  
  
EUTRAC

# CORE11

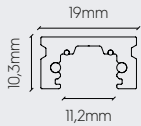
Discover more



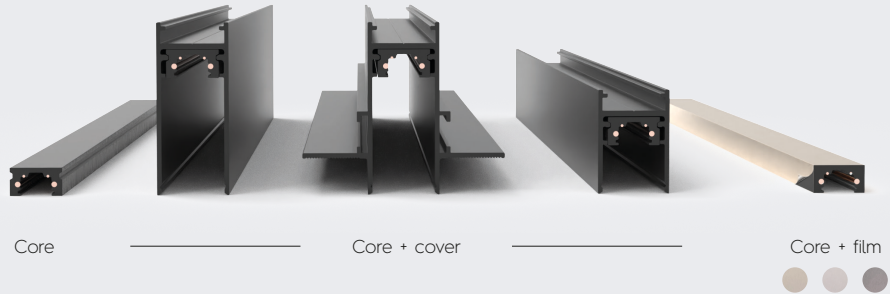
**CORE11** is the latest track system developed with CORE concept. The core is a track itself, made of a **proprietary polymer** which maintains the **mechanical and electrical features** of a standard track. It has the same size and shape as a micro STI track, thus ensuring **connections and accessories compatibility** and no need for a double stock.

Core customisation with films gives an **aesthetic touch** to surface applications while the use of aluminium covers makes all the other installation types possible. Covers can be customized in colour, finishing, shape and size thus giving the maximum freedom and flexibility to all applications, even where EVO range is currently used.

## Tech info



1 circuit + DATABUS  
SELV (10A/60V + 1A/60V)  
CLASS 2 (2A-48Vdc / 4A-24Vdc)



### Materials:

Core: extruded body in black polymer

Covers: aluminium

Available cover colours: black embossed / white embossed

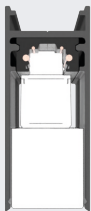
Available film colours: ● champagne ● natural ● stainless steel

### Available lengths:



## CROSSOVER ADAPTER

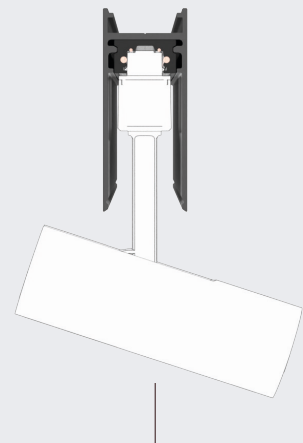
Thanks to the use of a special "crossover" adapter LIGHT INSIDE EVO products can be used in CORE11 system.



Crossover adapter inserted into CORE11 double emission

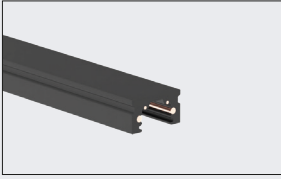


SENZAFINE M22 and spotlight with crossover adapter

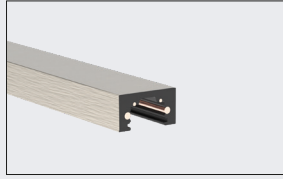


Spotlight with Crossover adapter inserted into CORE11 double emission

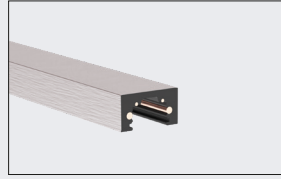
## CORE11



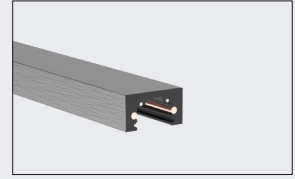
Surface track



Surface track with champagne film

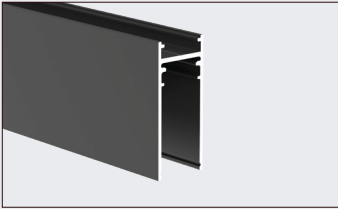


Surface track with natural film

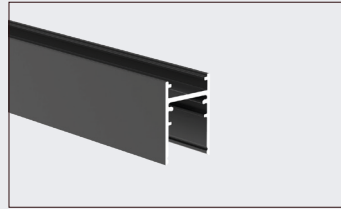


Surface track with stainless steel film

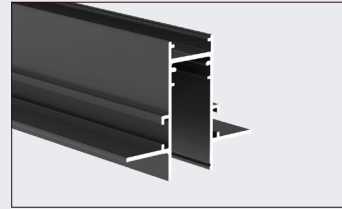
## CORE11 covers



Double emission M2 cover

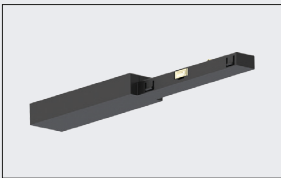


Double emission M6 cover



Trimless M5 cover

## CORE11 connections



End feed



Concealed end-feed with wire



Joining connector



L feed

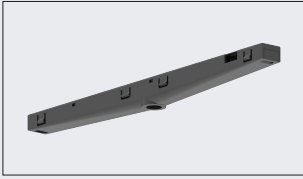


L feed ceiling-wall

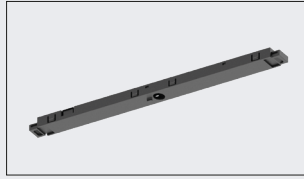


Adjustable corner

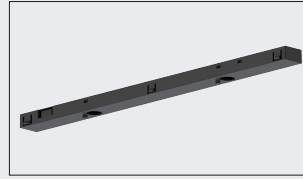
## CORE11 adapters



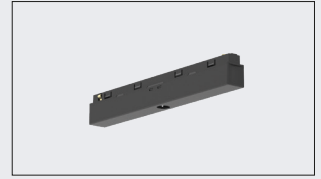
Mechanical single spot adapter



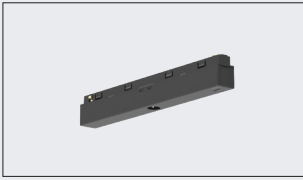
Mechanical single spot adapter



Double spot adapter

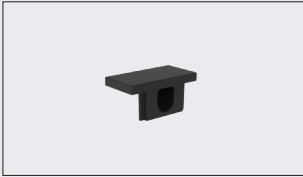


Crossover adapter



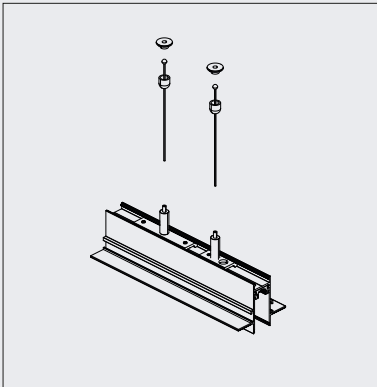
Mechanical crossover adapter

## CORE11 end cap

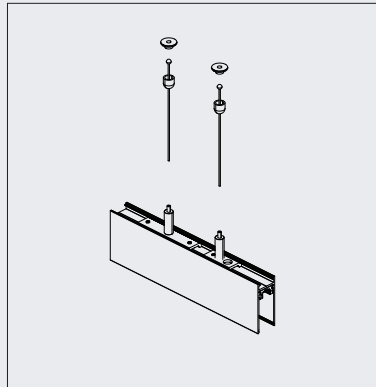


End cap

## Fixing accessories examples

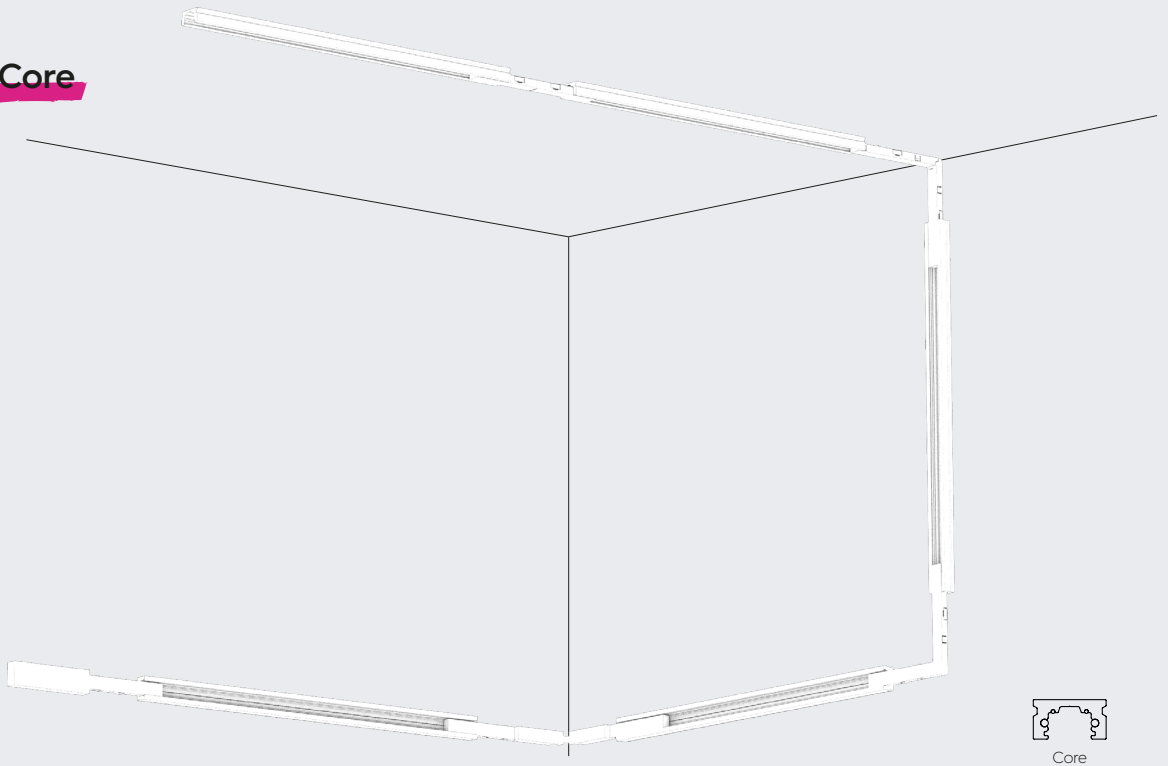


Trimless tracks



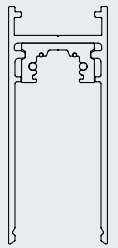
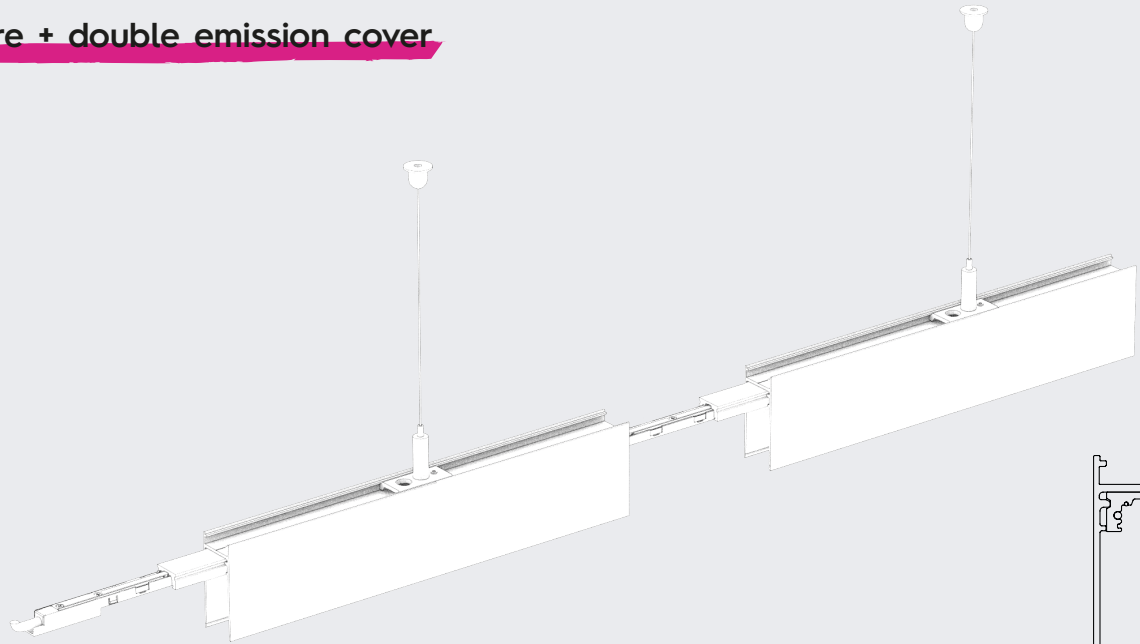
Double emission tracks

## Surface Core



Ceiling application with SENZAFINE FLAT opal and spotlights

**Core + double emission cover**

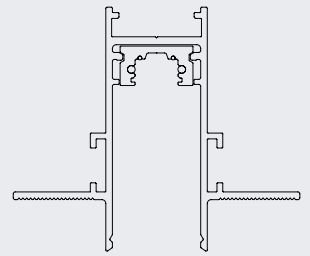
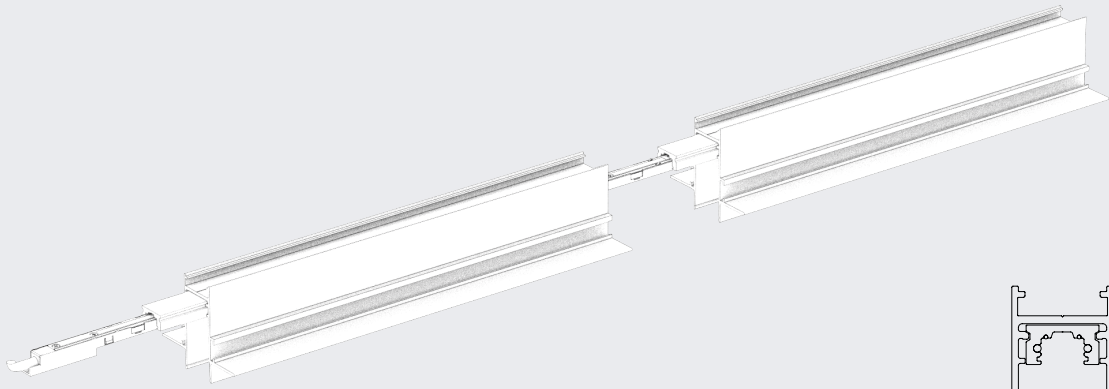


Cover M2



**Suspended application with SENZAFINE UGR and spotlights**

**Core + trimless cover**

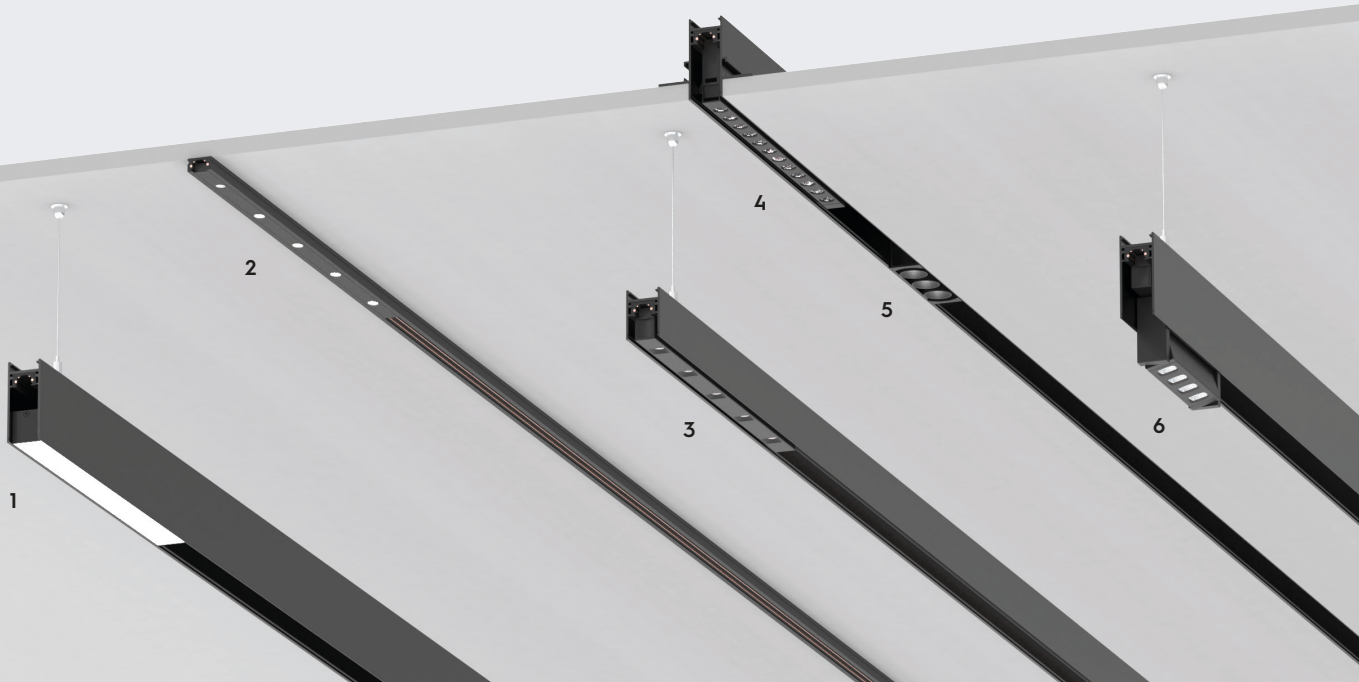


Cover M5



Trimless application with SENZAFINE opal and suspensions

## Light inside CORE11



## CORE11

- 1 - SENZAFINE M22 WITH CROSSOVER ADAPTER
- 2 - SENZAFINE FLAT M11
- 3 - SENZAFINE FLAT M16 WITH CROSSOVER ADAPTER
- 4 - SENZAFINE HE (HIGH EFFICIENCY) WITH CROSSOVER ADAPTER
- 5 - SENZAFINE DEEP WITH CROSSOVER ADAPTER
- 6 - SENZAFINE M22A ADJUSTABLE WITH CROSSOVER ADAPTER